

Concealed Space Mounting Bracket

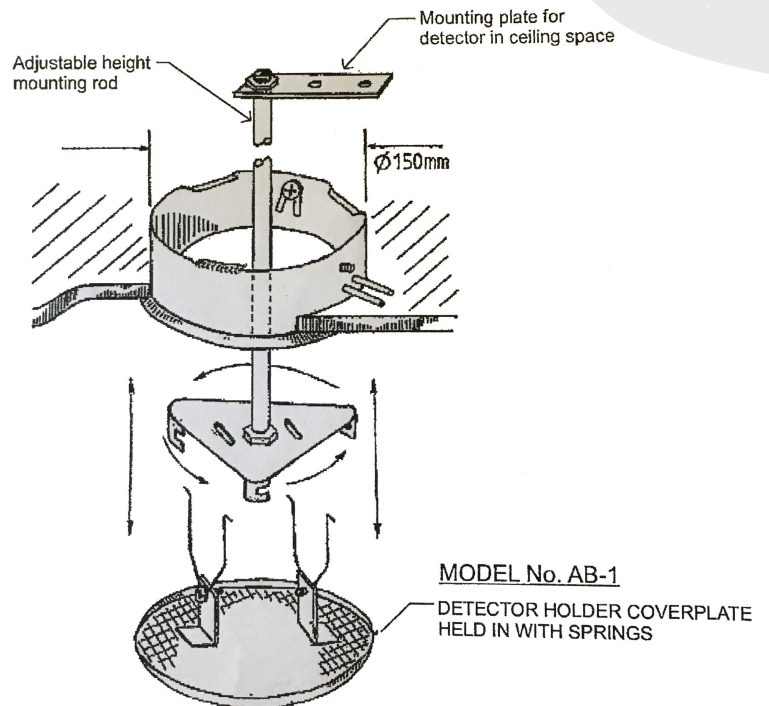
The detector access bracket is designed for easy access to fire detector units located within concealed space areas.

Simple access system for detectors via a 185mm round white cover plate that will blend into the finished ceiling areas.

Accessible cover that fits neatly to various thicknesses of plaster ceilings allowing fire detector to be lowered, serviced or replaced below ceiling level.

Three models are available to suit various ceiling space heights from 0.6m to 3.0m.

Also available with integrated remote indicator.



Part Numbers & Options

AB-1	Detector bracket C/W adjustable rod up to 1m
AB-2	Detector bracket C/W adjustable rod up to 2m
AB-3	Detector bracket C/W adjustable rod up to 3m